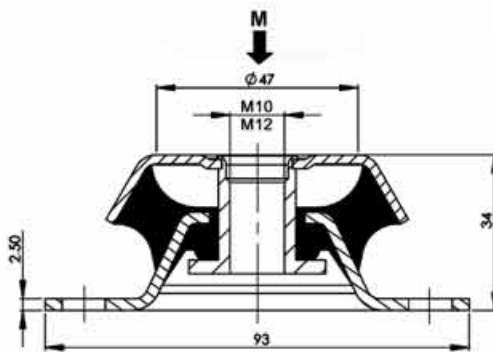




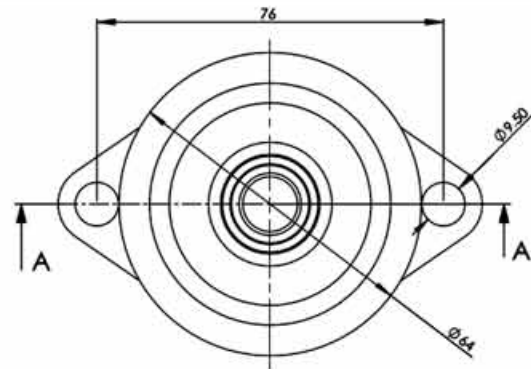
**Vibralastic Type VAB**

For effective isolation of noise and vibration on various machines with rotating movements.

- Combustion engines
- Diesel engines
- Emergency power packs
- Marine gensets
- Pumps
- Industrial gensets



**SECTION A-A**



MOUNT NUMBER	M Max. Load (kg.)	Weight (kg)
VAB-0 M10	130	0.23
VAB-0 M12	130	0.23
VAB-2 M10	105	0.23
VAB-2 M12	105	0.23
VAB-3 M10	70	0.23
VAB-3 M12	70	0.23

