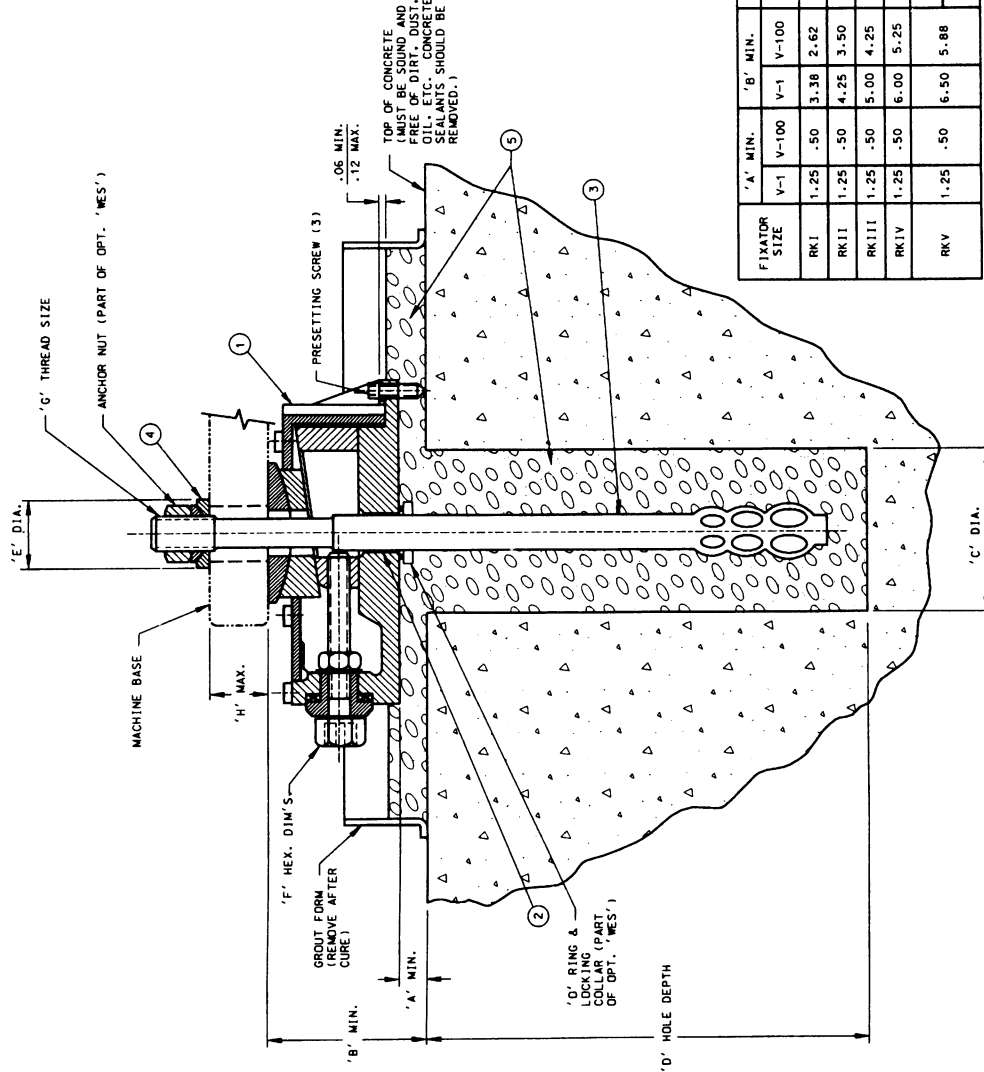


STANDARD INSTALLATION DRAWING RK FIXATOR® WITH OPTION 'WES'

RK6-1

BILL OF MATERIALS

ITEM	QTY	DESCRIPTION
1	1	FIXATOR BASIC UNIT
2	1	OPT. 'F' CLEARANCE HOLE
3	1	OPT. 'WES' ANCHOR/HOLD DOWN STUD
4	1	OPT. 'P' SPHERICAL WASHER SET
5	A/R	V-1 NON-SHRINK GROUT STANDARD V-100 EPOXY GROUT



FIXATOR SIZE	'A' MIN.		'B' MIN.		'C' DIA.		'D' HOLE DEPTH		'E' DIA.		'F' HEX. DIM'S		'G' THREAD SIZE		'H' MAX.
	V-1	V-100	V-1	V-100	V-1	V-100	OPT. 'P'	OPT. 'R'	OUTSIDE MM/(IN.)	INSIDE MM	OPT. 'R'	OPT. 'R'	OUTSIDE MM/(IN.)	INSIDE MM	
RK I	1.25	.50	3.38	2.62	3.00	1.50	1.57	1.73	22/(1.88)	—	1.73	22/(1.88)	16MM	2.38	
RK II	1.25	.50	4.25	3.50	3.50	2.00	1.73	10.50	22/(1.88)	—	2.20	22/(1.88)	20MM	4.00	
RK III	1.25	.50	5.00	4.25	4.00	2.50	2.20	13.50	24/(1.94)	—	2.68	24/(1.94)	24MM	4.75	
RK IV	1.25	.50	6.00	5.25	5.00	3.00	2.68	16.25	32/(1.25)	17	3.07	32/(1.25)	30MM	5.25	
RK V	1.25	.50	6.50	5.88	36	3.50	36	22.50	36	3.07	36	3.94	36MM	6.00	
					42	4.00	42	30.00	42	3.94	42	4.92	42MM	7.88	

UNISORB®

BDX 1000, JACKSON, NJ 49204-1000
INSTALLATION TECHNOLOGIES 517-764-6060 FAX 517-764-5607

TITLE STANDARD INSTALLATION DRAWING
MACHINE FIXATOR WITH OPTION 'WES'
COMPANY UNISORB CUSTOMER

REV.	DESCRIPTION	DATE	CHKD.	RAH	DATE	SCALE	NTS	DWG.	NO.	REV
1	UNISORB	5/97	DR.	BY	1/2/90				469900-02	1