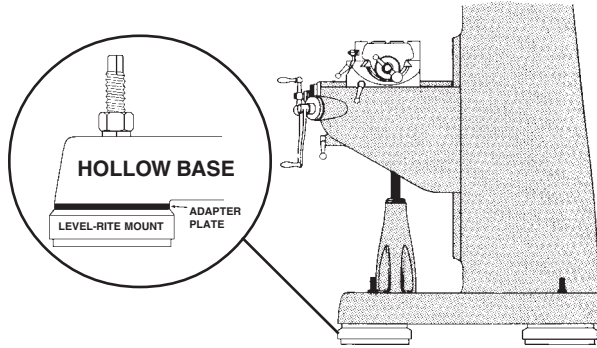


UNISORB® LEVEL-RITE® MACHINERY MOUNTS

LEVEL-RITE® MACHINERY MOUNTS FOR HOLLOW BASE MACHINES



Designed for hollow bases as found on certain models of mills, lathes, grinders and other machines. Provides vibration control, leveling and support.

Kit includes mounts with special length adjusting screws and adapter plates. Specify distance between bolt holes when ordering. Standard kits accommodate these distances:

BP-2500 Kit	19.25" - 20.75"
BP-5000 Kit	23.25" - 24.75"
BP-5000S Kit	25.25" - 26.75"

Other spacings are available on request.

LR-200 AND LR-500



The LR-200 and LR-500 are designed for lighter equipment applications. The LR-200 is for loadings up to 250 lbs per mount and the LR-500 is for up to 500 pounds. Both models have steel bases, elastomeric isolation pads, and built-in leveling screws.

R SERIES

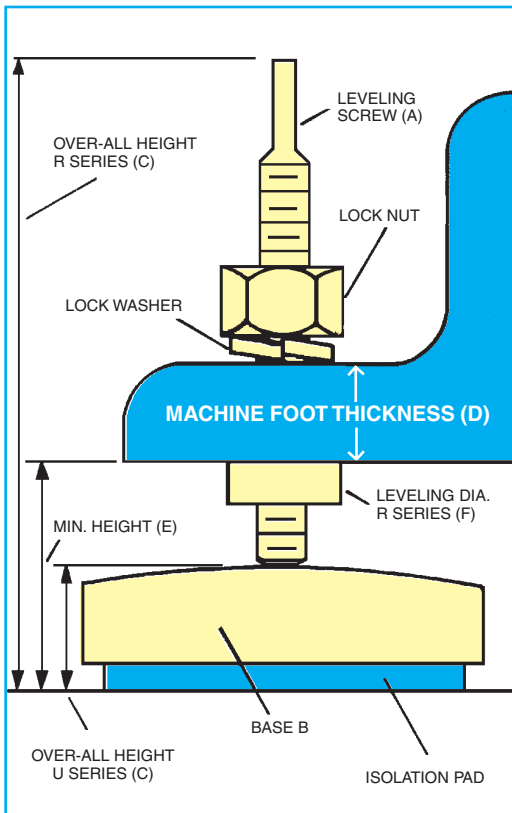
The R Series are self-contained leveling mounts with 1/2" thick elastomeric pads for all types of machinery. Rugged cast iron and anodized steel construction with a free-floating leveling screw offer vertical adjustments of up to 2". They will also compensate for pitched or uneven floors.



U SERIES



The U Series self-contained mounts with elastomeric pads are designed to accept machinery leveling screws and are supplied without leveling accessories. Their rugged, heavy duty construction is designed for precision and finishing equipment.



SPECIFICATIONS

MODEL	MAX	A	B	C	D	E	F
LR-200	250	5/16-18	2 1/8 Dia.	3 1/2	2 1/2	9/16	1 1/4
LR-500	500	3/8-16	3 1/2 Dia.	4 1/2	2 3/4	5/8	2 1/2
R9	900	1/2-13	3x3	7	2 3/4	1 3/4	1 3/4
R16	1,600	5/8-11	4x4	7	2 3/4	1 3/4	1 3/4
R28	2,800	5/8-11	4x4	7	2 3/4	1 3/4	1 3/4
R36	3,600	1-8	6x6	7 1/2	2 3/4	2 5/8	2 1/4
R48	4,800	5/8-11	4x4	7	2 3/4	1 3/4	1 3/4
R100	10,800	1-8	6x6	7 1/2	2 3/4	2 5/8	2 1/4
U9	900	-	3x3	1	-	-	-
U16	1,600	-	4x4	1	-	-	-
U28	2,800	-	4x4	1	-	-	-
U36	3,600	-	6x6	1 1/2	-	-	-
U48	4,800	-	4x4	1	-	-	-
U100	10,800	-	6x6	1 1/2	-	-	-